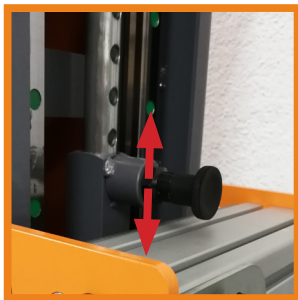
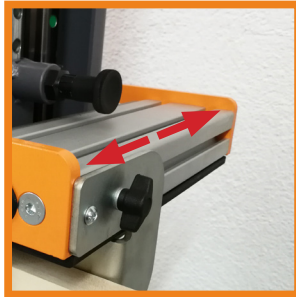


# BOX 3.0

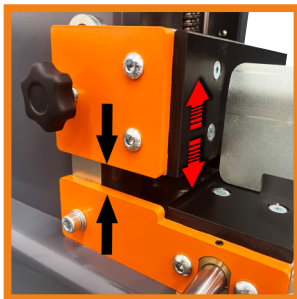
## PNEUMATIC CLAMP FOR DRAWER & FURNITURE DOOR ASSEMBLY



Locking system.



Depth adjustment.



Bottom brackets open for oversized door fronts.



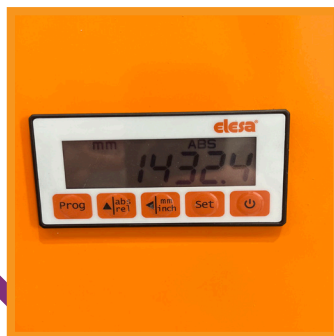
The highly versatile Box 3.0 is a totally pneumatic clamp, that, thanks to its functional design and quick adjustment process, ensures a straightforward, precise and fast assembly of drawers and frames of a wide variety of dimensions.

The different work modes and clamping manoeuvres enable the Box 3.0 to assemble draws and frames with any kind of joint (folding system, dovetail, dowels etc.) with perfect connection and squareness of the finished product every time, with a mechanism which means folding connections and drawer fronts with glass insets can be clamped without damage.

### OPTIONS



**KIT DOOR.** Incorporated system that holds the doors in the four corners to ensure precise clamping.



**LCD digital position screen** which enables greater precision in manual positioning.



**Additional vertical clamping unit.** Holds double drawers or doors with intermediate sections in place while clamping.

## TECHNICAL SPECIFICATIONS

### CLAMPING DIMENSIONS

Maximum/minimum length (X)*	1.400/200 mm
Maximum/minimum height (Y)	820/180 mm
Maximum/minimum depth (Z)	250/15 mm
Maximum oversized front (V)	40 mm
Maximum front thickness (T)	35 mm

### CLAMPING FORCE

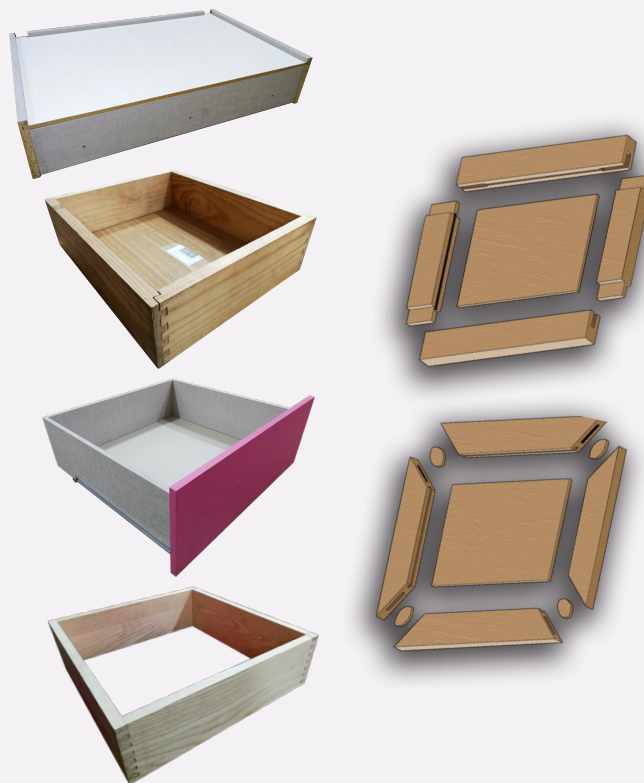
Maximum lateral force	800 Kg
Maximum vertical force	800 Kg

### PNEUMATIC CONNECTION

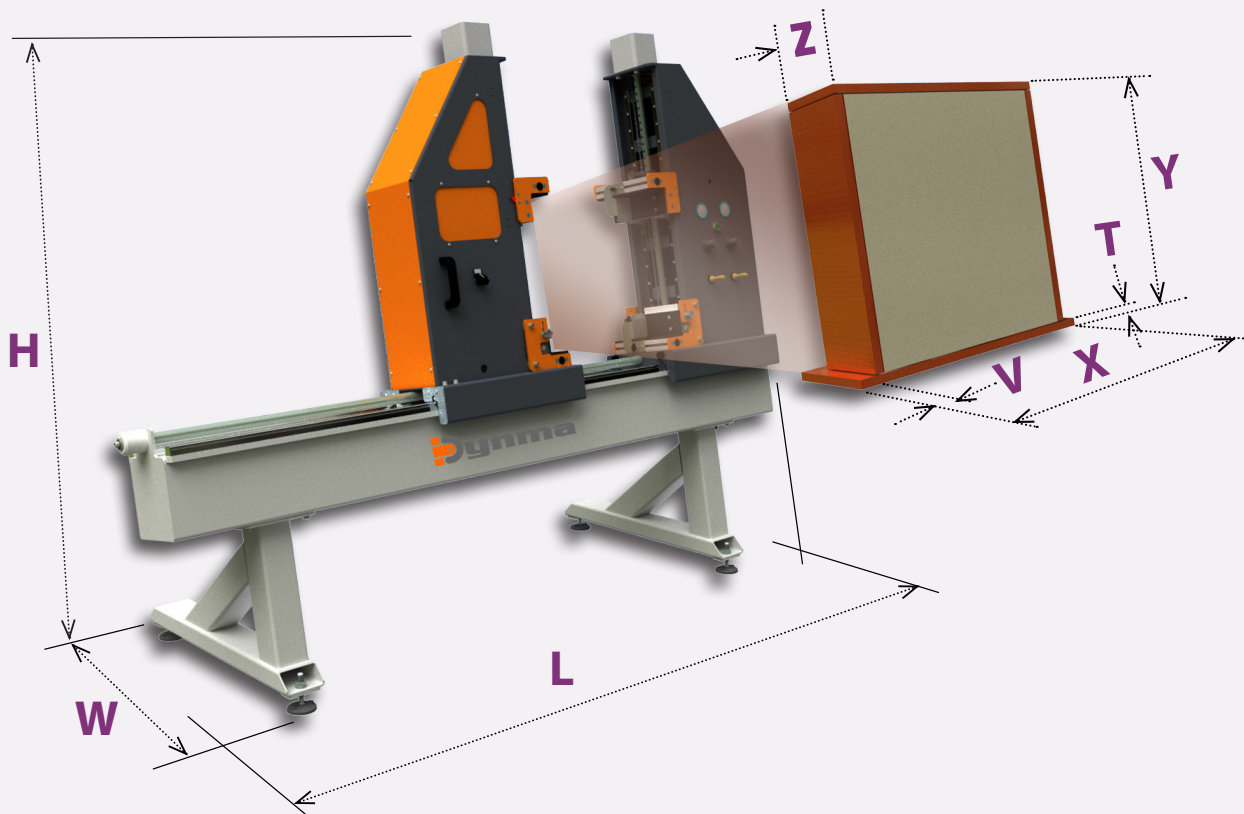
Maximum working pressure	6 Bar
Consumption	5 NI/Ciclo

### EXTERNAL DIMENSIONS/WEIGHT

Length x Height x Width (L x H x W)	2.500 x 2.000 x 900 mm
Weight	410 Kg



\* With the KIT DOOR the minimum length 'X' is 220 mm.



**Dynma**®

Copyright 2025 Desarrollo Industrial de Maquinaria Benicarló S.L.  
The information contained in this document is subject to change and therefore is not binding.  
Dynma is a registered trademark of Desarrollo Industrial de Maquinaria Benicarló S.L.

CV-135, km. 20.1 Pol. Ind. Mercado de abastos, Calle P, nave 10  
12580 Benicarló (Castellón) Spain



(+34) 964 470 156



www.dynma.es  
dpto.comercial@dynma.es



Dynma-Desarrollo Industrial de Maquinaria  
Benicarló S.L.

Distributed by:

